

ENGINE

Model	Yanmar 4TNV88C-PSY
Type	Water-cooled, 4 cylinder, with commonrail and DPF
Exhaust emissions	Stage V
Rated power	29.1 kW / 2400 rpm
Max. torque	144.9 Nm / 1500 rpm
Displacement	2190 ccm
Batteries	1 x 12 V / 120 Ah

HYDRAULIC SYSTEM

Mainpump	Variable displacement axial piston pump
Max. oilflow	138.6 l/min
Travelmotor	Variable displacement axial piston motor
Swingmotor	Axial piston motor
Max. oilflow (AUX 1)	70 l/min
Max. oilflow (AUX 2)	45 l/min

SERVICE REFILL CAPACITIES

Fuel tank	78 l
Engine coolant	4.2 l
Engine oil	7.4 l
Drive (per side)	0.9 l
Hydraulicsystem	80 l
Hydraulic oil tank	52 l

PERFORMANCE

Swingspeed	10 rpm
Max. travel speed	High 4 km/h, slow 2.7 km/h
Max. travel force	40.7 kN
Gradeability	30°
Bucket capacity	0.152 m³
Groundpressure	0.32 kg/cm²
Bucket digging force ISO	32.5 kN
Arm digging force ISO	22.9 kN

OPERATING WEIGHT

SY50U*	5300 kg
* Includes 75 kg (165 lb) operator and full fuel tank and excludes bucket.	

UNDER AND UPPER STRUCTURE

Boom length	2700 mm
Arm length	1500 mm
Bottomrollers	4
Toprollers	1
Rotation device	Planetary gear reducer driven by an axial piston motor, automatic hydraulic released slewing brake

RELIEF VALVE SETTINGS

Implement circuit	245 bar
Swing circuit	191 bar
Travel circuit	245 bar
Pilot pressure	35 bar

LIFTING CAPACITIES OF LOWER DOZER BLADE

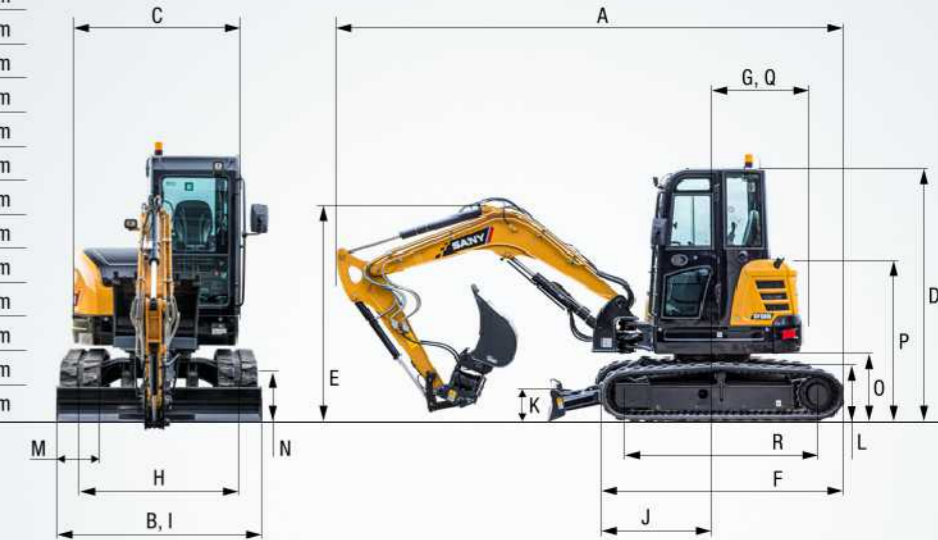
Load point height	Radius					Maximal
	2.0 m / 6.6 ft	3.0 m / 9.8 ft	4.0 m / 13.1 ft	5.0 m / 16.4 ft		
4.0 m kg						1085 845
13.1 ft lb						2387 1859
3.0 m kg			1050 815			1050 655
9.8 ft lb			2310 1793			2310 1441
2.0 m kg	1545 1190	1190 790				1055 580
6.6 ft lb	3399 2618	2618 1738				2321 1276
1.0 m kg	2020 1110	1365 760	1080 560			1075 555
3.3 ft lb	4444 2442	3003 1672	2376 1232			2365 1221
Ground line	kg 2165 1075 1445 735					1100 575
	lb 4763 2365 3179 1617					2420 1265
-1.0 m kg	2735 2000	1975 1075	1325 735			1110 655
-3.3 ft lb	6017 4400	4345 2365	2915 1617			2442 1441
-2.0 m kg	2135 2050	1370 1100				1040 905
-6.6 ft lb	4697 4510	3014 2420				2288 1991

LIFTING CAPACITIES OF UPPER DOZER BLADE

Load point height	Radius					Maximal
	2.0 m / 6.6 ft	3.0 m / 9.8 ft	4.0 m / 13.1 ft	5.0 m / 16.4 ft		
4.0 m kg						1025 845
13.1 ft lb						2255 1859
3.0 m kg			985 815			790 655
9.8 ft lb			2167 1793			1738 1441
2.0 m kg	1485 1190	960 790				700 580
6.6 ft lb	3267 2618	2112 1738				1540 1276
1.0 m kg	1400 1110	925 760	680 560			675 555
3.3 ft lb	3080 2442	2035 1672	1496 1232			1485 1221
Ground line	kg 1360 1075 905 735					700 575
	lb 2992 2365 1991 1617					1540 1265
-1.0 m kg	2735 2000	1355 1075	900 735			800 655
-3.3 ft lb	6017 4400	2981 2365	1980 1617			1760 1441
-2.0 m kg	2135 2050	1370 1100				1040 905
-6.6 ft lb	4697 4510	3014 2420				2288 1991

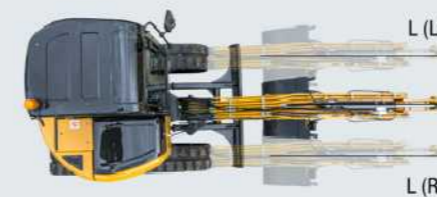
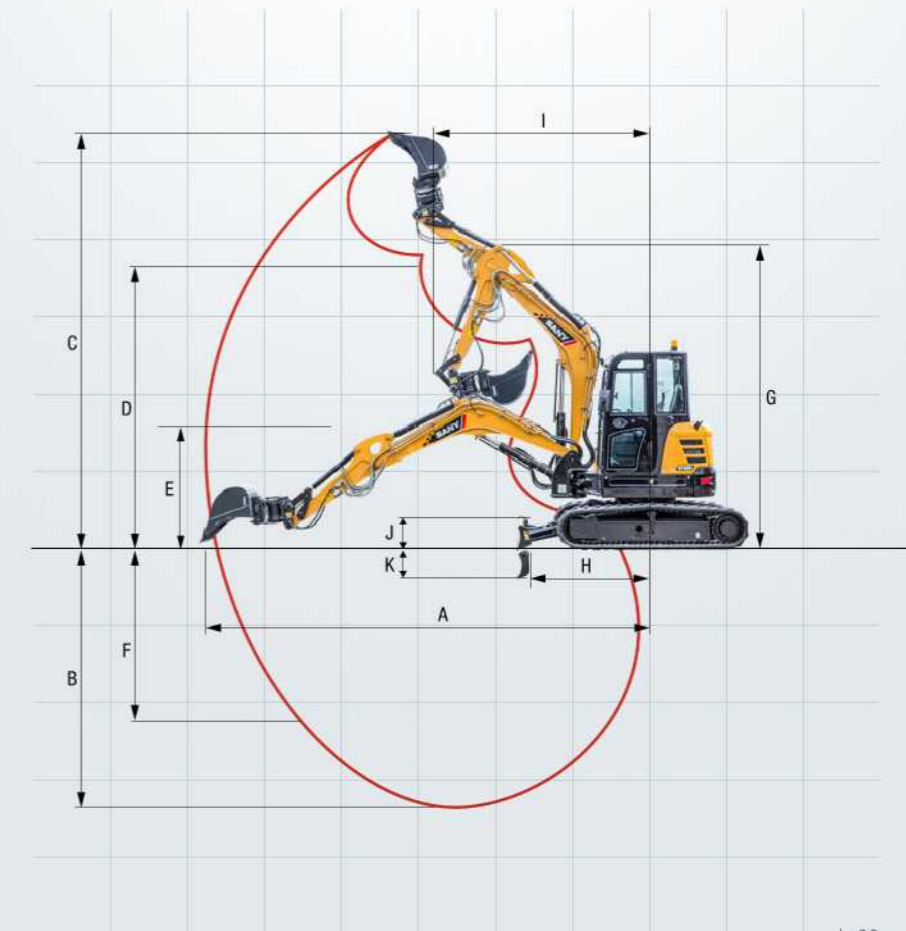
DIMENSIONS (TRANSPORT)

A Transport length	5390 mm
B Transport width	1960 mm
C Upperstructure carriage	1760 mm
D Height over cabin/ROPS	2630 mm
E Height of Boom – transport	2060 mm
F Overall length of crawler	2510 mm
G Tail length	980 mm
H Track gauge	1560 mm
I Undercarriage width (blade)	1960 mm
J Horizontal distance to blade	1790 mm
K Blade height	340 mm
L Track height	610 mm
M Track pads width	400 mm
N Min. ground clearance	325 mm
O Counterweigh clearance	675 mm
P Engine cover height	1660 mm
Q Tail swing radius	980 mm
R Center distance of tumbler	1970 mm



WORKING AREA

A Max. digging reach	5880 mm
B Max. digging depth	3420 mm
C Max. digging height	5450 mm
D Max. dumping height	3805 mm
E Min. dumping height	1410 mm
F Max. vertical digging depth	2460 mm
G Overall height over arm by min. swing radius	4155 mm
H Arm head distance with work equipment retracted as far as possible	1690 mm
I Swing radius by max. boomswing (L)	2260 mm
Swing radius by max. boomswing (R)	2080 mm
Min. swing radius	2520 mm
J Max. clearance when blade up	420 mm
K Max. depth of blade down	405 mm
L Offset boom (L)	745 mm
Offset boom (R)	710 mm
Max. boom-swing angle (L)	58°
Max. boom-swing angle (R)	54°



The SY50U – great results and great equipment

The SY50U ex-works is an all-rounder and perfectly equipped for a range of applications. Optional extra equipment and attachment devices are available to increase its flexibility even more.



OPERATORS COMFORT / CAB

Heater	●
Manual air condition system	●
Radio and speaker	●
Armrests (adjustable)	●
12v outlets	●
Wiper	●
Sprayer f. wiper	●
AUX 1 on Joystick	●
AUX 2 on Joystick	●
8 stored hydraulic settings for attachments	●
Removable front-window	●

SAFETY

Battery master switch	●
Travel Alarm	●
Warning beacon	●
Lockable hoods	●

WORKING EQUIPMENT

Boom and arm load holding valves with overload indicator	●
Double acting circuit for hydraulic quick coupler with piping	●
Hammer & Shear line proportional on Joystick with piping	●
Rotation line proportional on Joystick with piping	●
Flow adjustment for attachments	●
Dozer blade	●
Cylinder guardes – boom	●

Standard equipment ● Special option ●

The standard and special options differ depending on the country in which the mini excavator is delivered. If you have any questions, please contact your dealer directly.

WORKING LIGHTS

Lights – front (LED)	●
Lights – boom (LED)	●

UNDERCARRIAGE

Rubber tracks	●
Steel tracks	●
Holes/loops for fixing	●
Cylinder guardes – dozer blade	●

ENGINE

Auto idle	●
Diesel filter	●
DPF	●
Airfilter	●

HYDRAULIC SYSTEM

Swing brake	●
2 speed travel	●
Hydr. Pre-pressure operating joysticks	●
Piping for additional hydraulic function AUX 1	●
Piping for additional hydraulic function AUX 2	●
Mainfilter	●

A SERVICE YOU CAN RELY ON

Just as we do with our excavators, we also demand high quality and reliability of our service products. This underlines our equipment's performance in terms of their durability and their excellent price-performance ratio. After all, maintenance is crucial

for efficiency, cost-effectiveness and safety. Your SANY dealer is happy to help you with a comprehensive range of services to ensure that your machine continues operating efficiently in the long term.

SANY – flexible, fast and always there for you

Rapid assistance, tailored advice and a reliable supply of original parts – that is what we mean by a premium service.



The added benefits SANY offers you:

- ✦ Experienced dealer network throughout England, Wales, Northern Ireland and Ireland
- ✦ Direct sales and support route in Scotland
- ✦ Dedicated SANY team based in the UK to support you and your product
- ✦ UK office and parts warehouse to ensure SANY excavators are fully supported

* To locate your nearest dealer, visit <https://www.sanyuk.com>.

Parts supply – quick and reliable

With the purchase of a SANY mini excavator you have made an investment in the future. Fast availability of spare parts is your guarantee of minimal downtimes and failure times.



Detailed information in black and white

Handbooks and documents are available for all SANY mini excavators, and these can help you with operation, maintenance, servicing and repairs. These include operating and maintenance instructions and technical specifications.

