



PC80MR-5 Road liners

Specification

Engine EU Stage V, Komatsu 3D76-6 diesel engine, 46.2Kw/62hp

Hydraulics Variable displacement pump

Aux circuit Hammer Lines (¾ ff female)

Boom Mono boom

Arm 2.0m

Blade Width 2250mm x Height 464mm

Safety Boom and arm safety valves
LED Light pack
ROPS compliant to ISO 12117-2:2008

Attachments Quick hitch (MH10 Pick up)

Lynch Additional Specification White noise travel alarm
Green seat belt warning light
Amber beacon
Red seat belt
Signwriting
Komtrax Telematics
Hi Viz handrails and steps
Lift certification

Available Options HVO Fuel Compatible
Machine Control (Leica & Trimble)
Height & Slew restrictors (GKD & X Watch)

Dimensions & Performance Figures

OPERATING WEIGHT (APPR.)

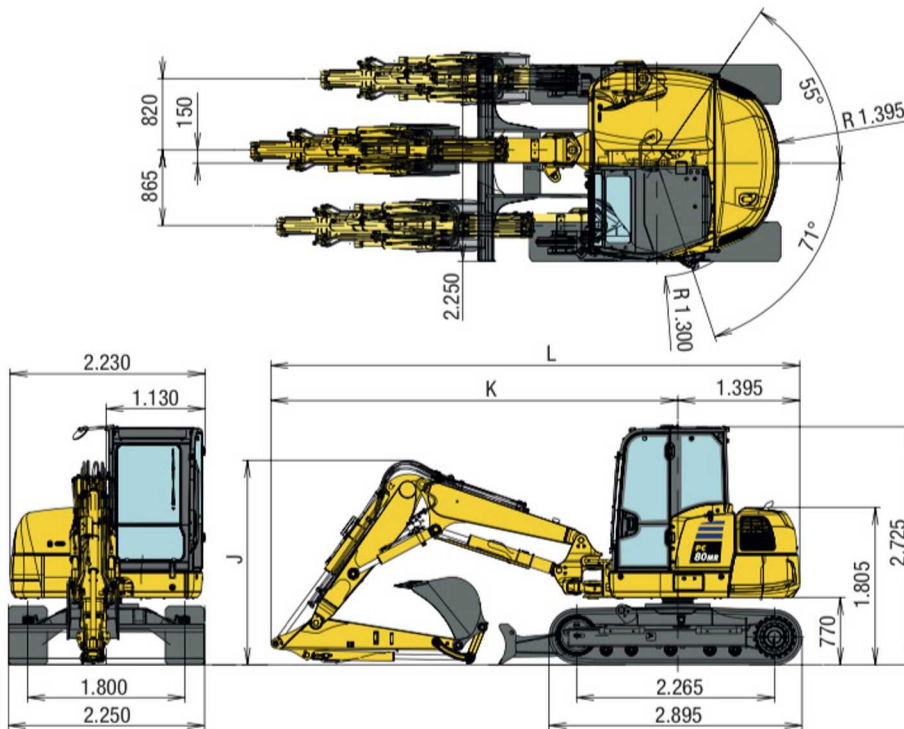
Road liners
450 mm

Operating weight
8,070 kg

MACHINE DIMENSIONS

PC80MR-3

J	Transport boom height	2620 mm
K	Centre machine to boom end	4865 mm
L	Overall length	6260 mm
	Overall height	2725 mm
	Overall width	2250 mm
	Ground clearance	770 mm
	Tail swing radius	1395 mm
	Track length on ground	2265 mm
	Track length	2895 mm
	Track gauge	1800 mm
	Track shoe width	450 mm
	Overall width of upper structure	2230 mm
	Distance, swing centre to rear end	1130 mm
	Boom swing angle	71/55
	Boom offset L/H	820 mm
	Boom offset R/H	865 mm

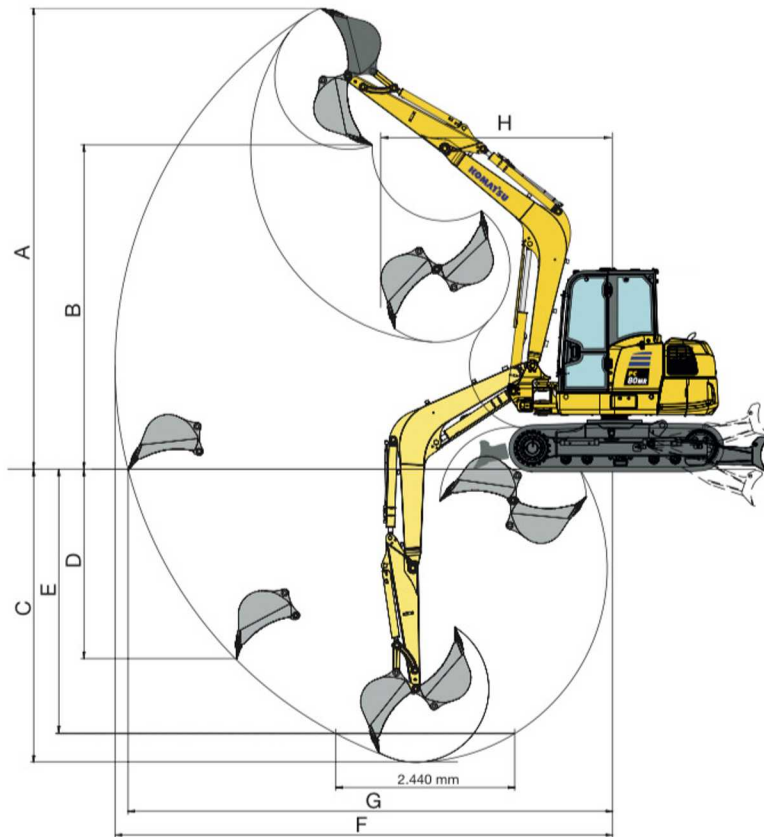


BUCKET AND ARM FORCE

Bucket digging force
Arm crowd force

5855 daN
3913 daN

Working Range











A	Max. digging height	6560 mm
B	Max. dumping height	4620 mm
C	Max. digging depth	4325 mm
D	Max. vertical wall digging depth	3215 mm
E	Max. digging depth of cut for 2.33m level	4015 mm
F	Max. digging reach	7120 mm
G	Max. digging reach at ground level	6945 mm
H	Min. swing radius	2755 mm

Lifting Capacity

- A** Reach from swing centre
- B** Bucket hook height
Lifting capacities, including bucket, bucket linkage
and bucket cylinder

-  Rating over front
-  Rating over side

Mono boom, blade up, 151 kg bucket

Arm length	A		Max.		5,0 m		4,0 m		3,0 m	
	B									
2.000 mm	4,5 m	kg	1.170	920	1.139	1.030				
	3,0 m	kg	900	620	1.280	1.000				
	1,5 m	kg	820	620	1.210	930	1.730	1.350	2.770	2.140
	0,0 m	kg	840	568	1.140	812	1.610	1.230	2.275	1.728
	- 1,5 m	kg	1.000	685	1.110	794	1.570	1.200	2.248	1.701
	- 3,0 m	kg	1.770	1.226					2.328	1.773

Ratings are based on ISO standard 10567. Rated loads do not exceed 87% of hydraulic lift capacity or 75% of tipping load. Excavators used in object handling operations must comply with the related local regulations and must be equipped with hose burst valves (boom & arm) and an overload warning device in compliance with EN474-5.

- The values marked with an asterisk (*) are limited by the hydraulic capacities.
- Calculations are based on the machine resting on a uniform and firm surface.
- The lifting point is a hypothetical hook placed behind the bucket.