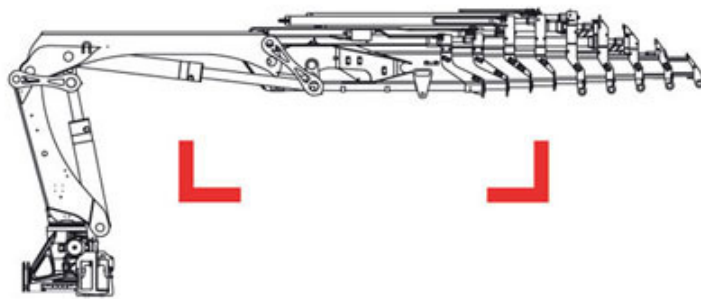


X-HiPro 558 E-5



Technical Data

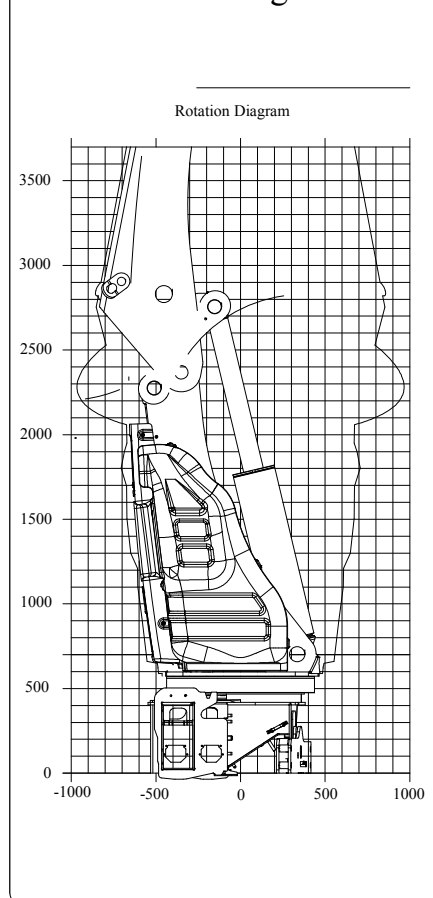
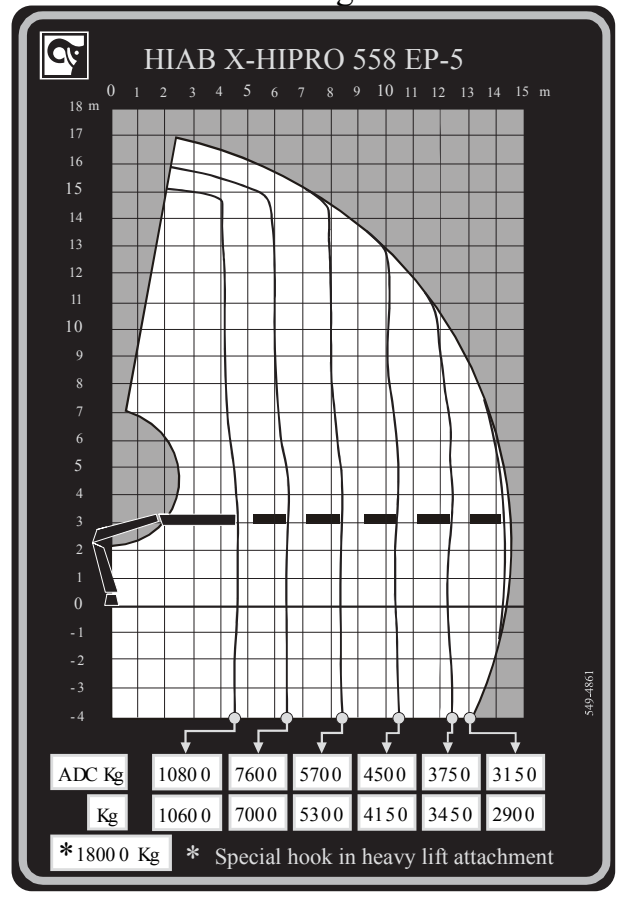


Diagrams

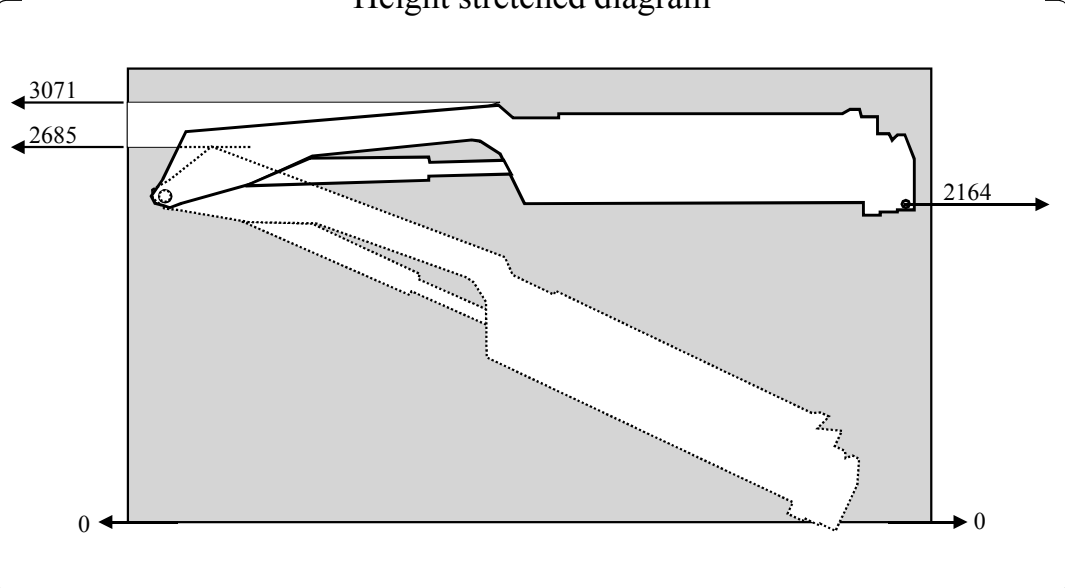
X-HiPro 558 E-5

Load diagram

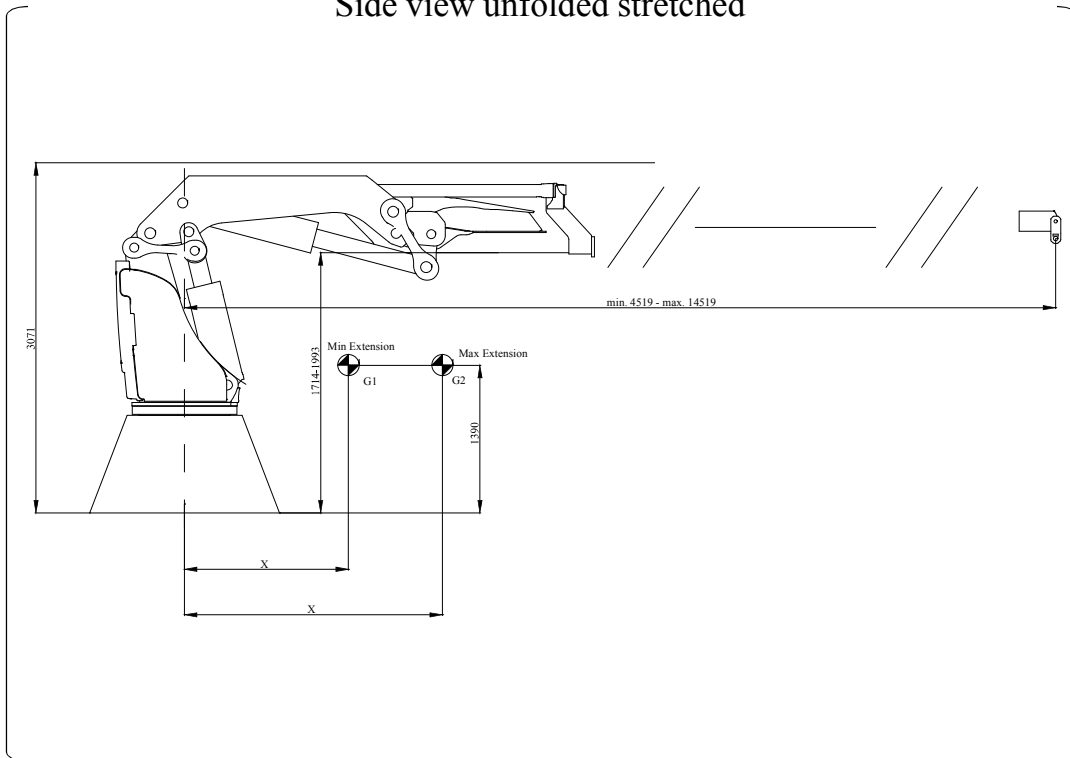
Rotation diagram



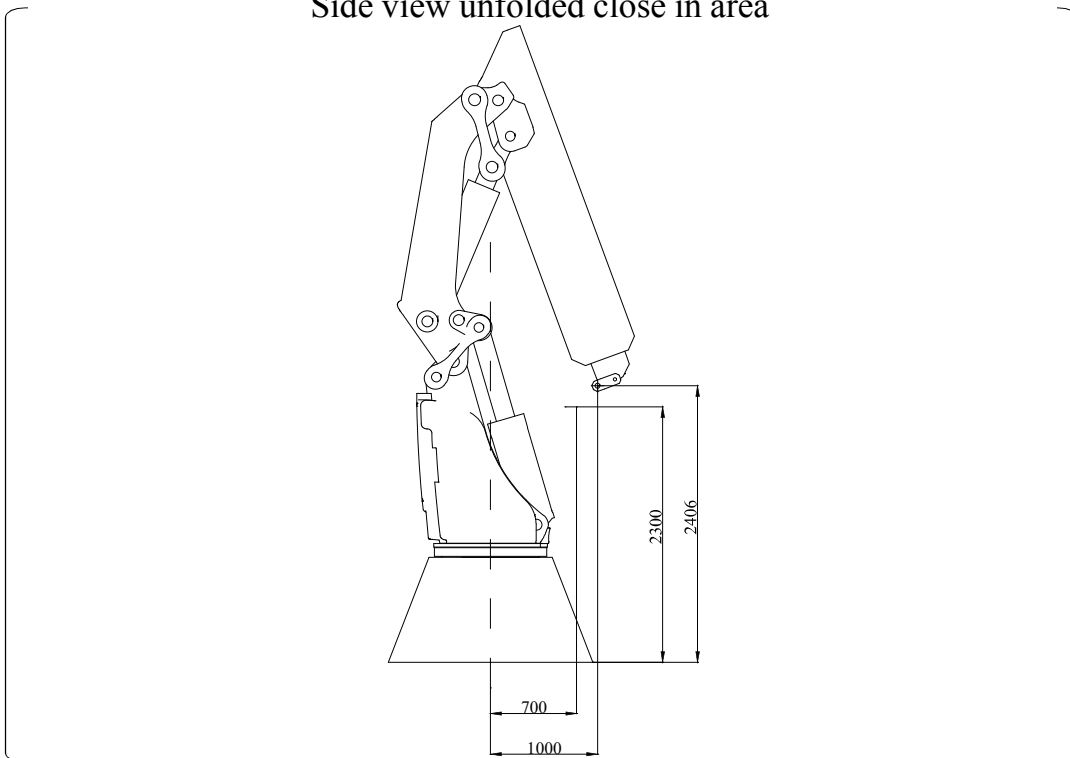
Height stretched diagram



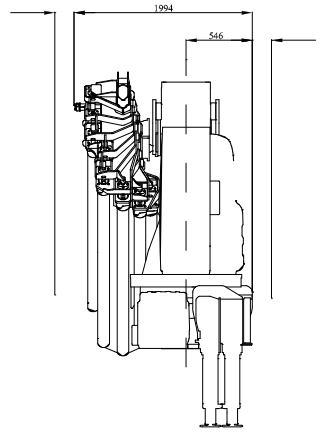
Side view unfolded stretched



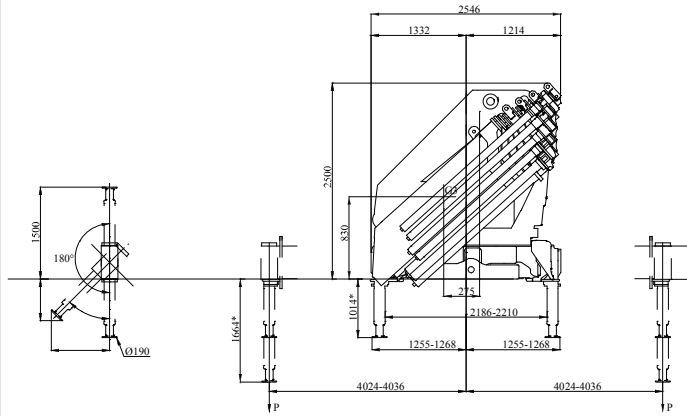
Side view unfolded close in area



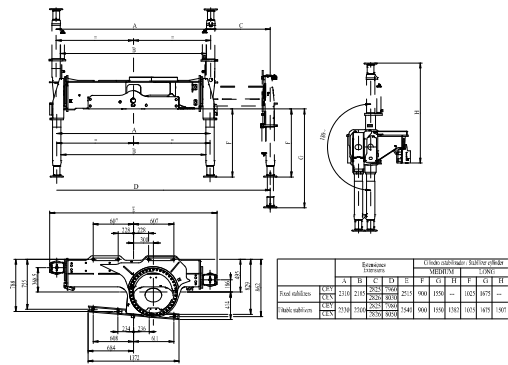
Side view folded



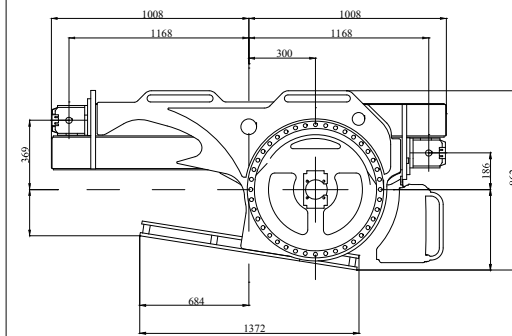
Front view folded



Chassis installation



Top view



Version	X-HiPro 558 E-5	
M _{dyn}		797 kNm
Lifting capacity	kNm	451
Lifting capacity	tm	46.0
Lifting capacity (ADC)	kNm	487
Lifting capacity (ADC)	tm	49.6
Outreach - lifting capacity, standard	m-kg	4.6 - 10,800
		6.4 - 7,600
		8.3 - 5,700
		10.3 - 4,500
		12.3 - 3,750
	14.5 - 3,150	
Outreach - lifting capacity, manual extensions	m-kg	
Hydraulic outreach, standard	m	14.5
Hydraulic boom extension	m	12.1 m
Outreach, manual extensions	m	0.0
Lifting height above installation level, hydr/man	m	17.0 / 0.0
Rec. oil flow	l/min	100 - 120
Power needed at rec. oil flow V80	kW	-
Power needed at rec. oil flow V91	kW	-
Working pressure	Mpa	38.0
Oil in tank	l	200 - 250
Tank capacity	l	0 - 285
Slewing angle	°	999
Max slope viable at full capacity	°	6
Slewing torque, gross	kNm	65.0
Slewing speed 80	°/s	9
Slewing speed	°/s	9
Lifting speed at standard hydraulic outreach	m/s	1.1
Height in folded position	mm	2,500
Width in folded position	mm	2,546
Install space required. Rotation area not included	mm	1,994
Install space required with hose and pipe kit	mm	1,994
Weight		
Crane in standard version without support legs	kg	4,483
Top seat	kg	0
Frame attachments	kg	78 - 123
Support leg equipment	kg	854 - 961
Data sheet		

X-HiPro 558 E-5