



SPECIFICATION

JCB E-TECH



ELECTRIC DUMPER | ITE

Payload: 1 Tonne Unladen weight: 1625kg Battery capacity: 10kWh

JCB

100% electric. Zero emissions.

JCB is leading the way in clean technology and reducing harmful emissions. That's why we are introducing JCB E-TECH, a new generation of electric products with zero emissions at point of use that don't compromise on performance. The new IT-E, 1 tonne fully electric machine challenges perceptions of where site dumpers can operate. With zero emissions during use, the machine can operate indoors and in noise sensitive environments.



INDUSTRY'S SAFEST.

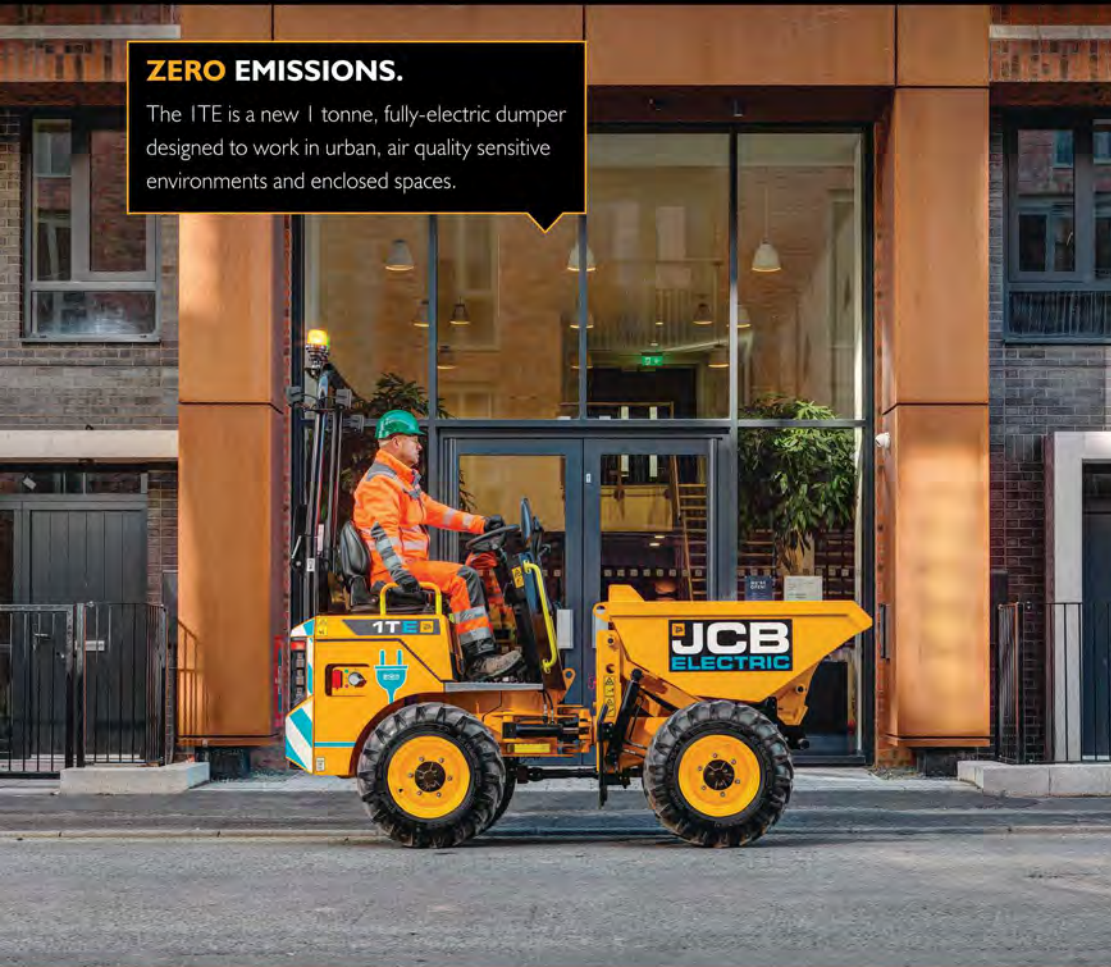
ROPS frame ensures operator safety, while the LED amber and green beacons, fitted as standard, alert pedestrians to the machines presence.

SILENT NIGHT.

The ITE electric dumper can carry on working through the night in any conditions, with near-silent operation and powerful LED work lights.

ZERO EMISSIONS.

The ITE is a new 1 tonne, fully-electric dumper designed to work in urban, air quality sensitive environments and enclosed spaces.



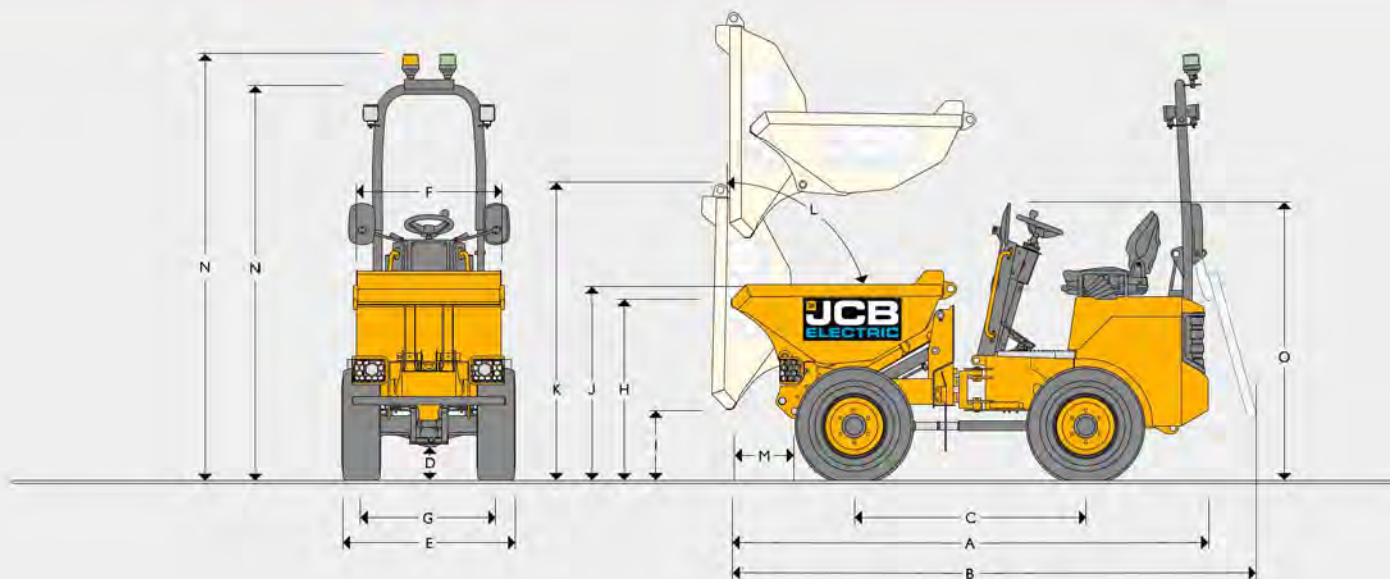
KEEP MOVING.

Powered by robust, lithium-ion batteries and charged using the JCB zero emission power pack, the ITE will work a full day's shift.

ULTIMATE VERSATILITY.

High-Tip skip allows the dumper to tip into skips and large containers. Compact design enables the machine to work in confined areas.

STATIC DIMENSIONS



Machine		ITE
A	Overall length	mm 3095
B	Overall length (ROPS or FOPS folded)	mm 3408
C	Wheelbase	mm 1500
D	Minimum ground clearance	mm 217
E	Total width (Standard/Narrow tyres)	mm 1126
F	Skip width	mm 980
G	Track width (Standard/Narrow tyres)	mm 870
I	Height to front lip of skip (untipped)	mm 1135/2255
H	Height to front lip of skip (tipped)	mm 458/1567
J	Load over height	mm 1268/2392
K	Height over skip (tipped)	mm 1845/3032
L	Skip tip angle	degrees 90
M	Discharge distance front (lowered/raised)	mm 403/276
	Discharge distance side	mm -
	Turning radius to outside of skip	mm 2727
	Turning radius to outside of tyres	mm 2722
	Steering angle (+/-)	degrees 39
	Oscillation	degrees 15
N	Height to top of ROPS (with/without beacon)	mm 2767/2602
O	Height with folded ROPS	mm 1624

SPECIFICATION

CAPACITIES

Machine		ITE
Payload	kg	1000
Front axle laden		1645
Rear axle laden		985
Operating weight	kg	1625
Tipping type		Front tip – high tip
Skip capacity (fluid)	l	307
Skip capacity (struck)	l	454
Skip capacity (heaped)	l	554

TRANSMISSION

Machine		ITE
Type		Single-speed drop box with mechanical drive to front/rear axles
Tyre size		255 / 75 x 15.3 x 8 ply
Drive		Permanent 4 wheel drive
Max. travel speed (unladen) 1st gear	mph (kph)	7.4 (11.9)

ELECTRICAL SYSTEM

Machine		ITE
System voltage	V	12
Battery capacity	Ah	62

SERVICE FILL CAPACITIES

Machine		ITE
Hydraulic tank	l	28
Axle oil (front)	l	3.2
Axle oil (rear)	l	3.9

BRAKING

Machine		ITE
Working brake		Multi-plate in-board oil immersed discs on front axle
Parking brake		Over centre handbrake with oil immersed discs on front axle

CHARGING

Machine		ITE
On-board charger allowing direct connection to AC mains power supply.		
Indicative Charge Time - 20-80%, subject to environmental conditions:		2hr 35min (@230V)
Off-board fast charge - 0-100% @ 415V		1hr 40min
Charging cable plug type:		16A 110V (yellow) 16A 230V (blue) 16A 415V (red)

MOTOR

Machine		ITE
Drive motor type		3 Phase AC Permanent Magnet
Drive motor power		7 kW continuous, 20 kW peak
Hydraulic motor type		3 Phase AC Permanent Magnet
Hydraulic motor power		4.5 kW continuous, 9 kW peak

POWER SOURCE

Machine		ITE
Battery Type		Manganese laminated Lithium-ion
Gross Capacity		10 kWh
System Voltage		48V
Zero Emissions at point of use.		

NOISE AND VIBRATION

Noise at the operator station (LpA)		70 dB
Noise emission from the machine (LWA)		86 dB
Whole body vibration (m/s ²)		1.04
Hand-arm vibration (m/s ²)		1.26



100% electric. Zero emissions.

Your nearest JCB dealer

Electric Dumper ITE

Payload: 1 Tonne Unladen weight: 1625kg Battery capacity: 10kWh

JCB Sales Limited, Rokester, Staffordshire, United Kingdom ST14 5JP.

Tel: +44 (0)1889 590312 Email: salesinfo@jcb.com

Download the very latest information on this product range at: www.jcb.com

©2009 JCB Sales. All rights reserved. No part of this publication may be reproduced, stored in a retrieval system, or transmitted in any form or by any other means, electronic, mechanical, photocopying or otherwise, without prior permission from JCB Sales. All references in this publication to operating weights, sizes, capacities and other performance measurements are provided for guidance only and may vary dependant upon the exact specification of machine. They should not therefore be relied upon in relation to suitability for a particular application. Guidance and advice should always be sought from your JCB Dealer. JCB reserves the right to change specifications without notice. Illustrations and specifications shown may include optional equipment and accessories. The JCB logo is a registered trademark of J.C. Bamford Excavators Ltd.

28911 en-GB 10/20 Issue 1

