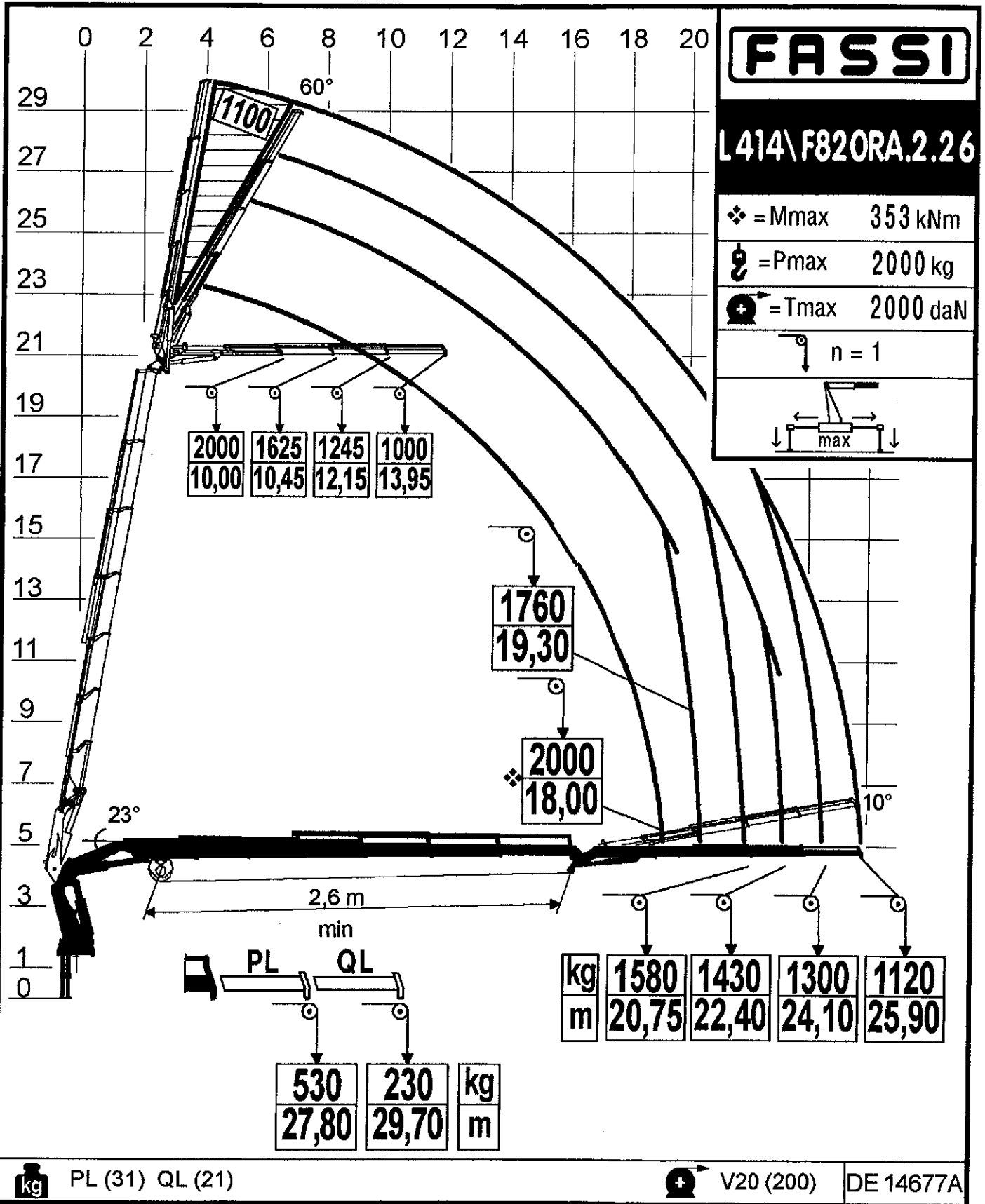
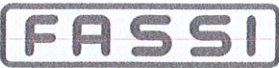


WITH FLY + WINCH



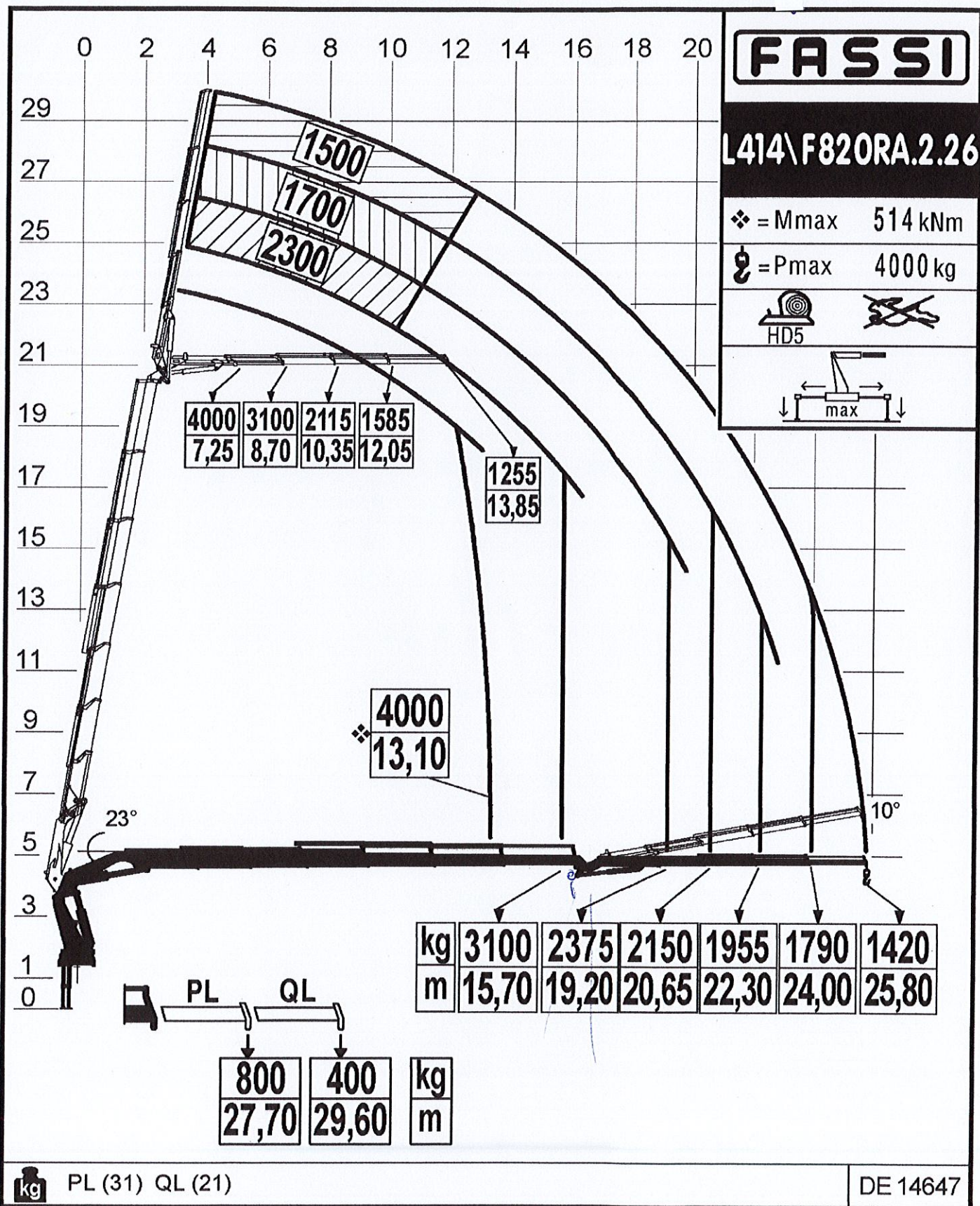


F820RA.2.26/L414 xhe-dynamic - Load Diagram

Via Roma, 110
 14021 Albino (BG)
 Tel.: +39 035 776400
 Fax: +39 035 755020
 www.fassi.com
 fassi@fassi.com

LOAD DIAGRAM HYDRAULIC EXTENSIONS WITH LIFTING MOMENT LIMITING DEVICE

WITH FLY

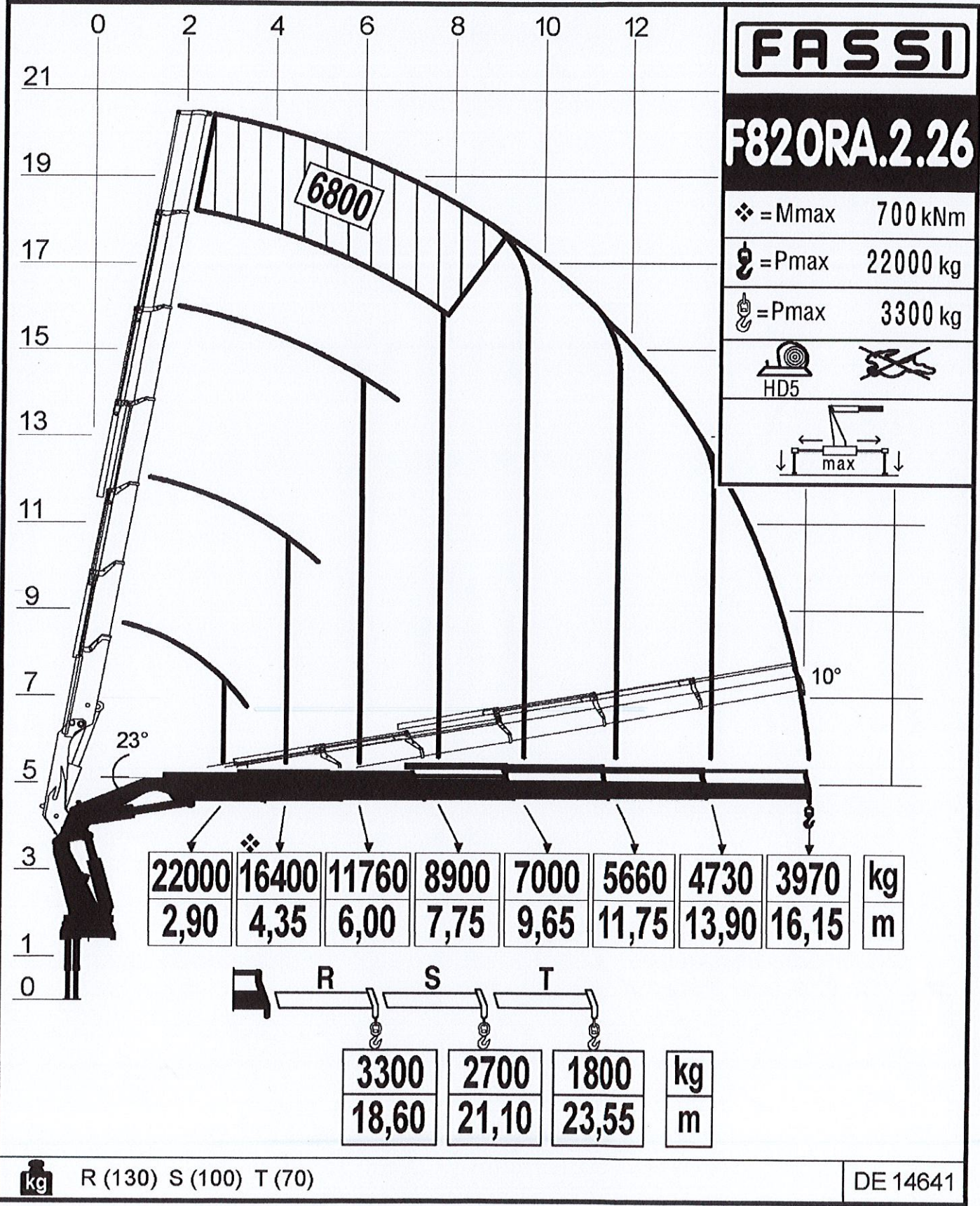




F820RA.2.26 xhe-dynamic - Load Diagram

Via Roma, 110
 14021 Albino (BG)
 Tel.: +39 035 776400
 Fax: +39 035 755020
 www.fassi.com
 fassi@fassi.com

LOAD DIAGRAM WITH LIFTING MOMENT LIMITING DEVICE





F820RA.2.26 xhe-dynamic - Load Diagram

Via Roma, 110
14021 Albino (BG)
Tel.: +39 035 776400
Fax: +39 035 755020
www.fassi.com
fassi@fassi.com

LOAD DIAGRAM WITH WINCH AND WITH LIFTING MOMENT LIMITING DEVICE

Winch

